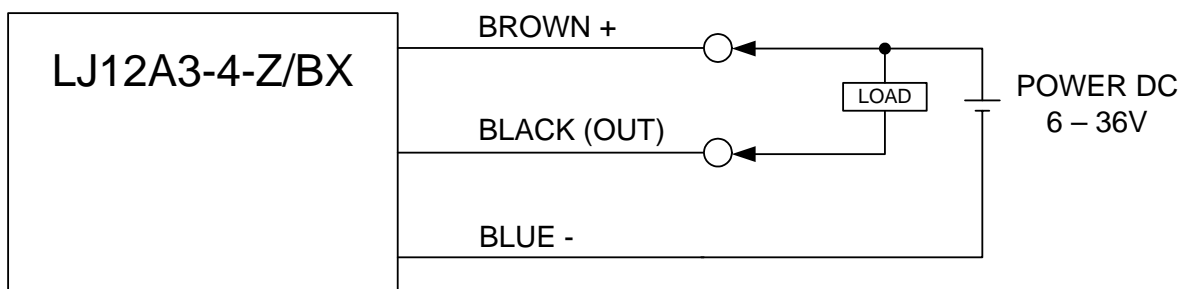


LJ12A3-4-Z/BX

INDUCTIVE PROXIMITY SENSOR LJ12A3-4-Z/BX
 NPN, 3 WIRE ON, DIAMETER 12 mm.,
 PROXIMITY SW. 4 mm., LED

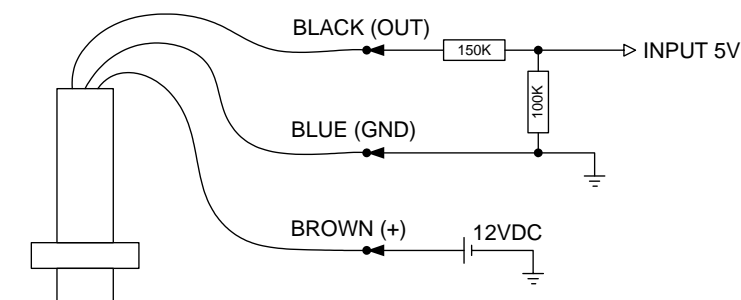


MODEL	LJ12A3-4-Z/BX
OUTPUT	NPN, 3 WIRE, NO (NORMAL OPEN)
WORK VOLTAGE	6VDC - 36VDC
OUTPUT CURRENT	300mA. (SINK)
SIZE	DIA. 12 mm. L : 64 mm.(BODY)
CABLE LENGTH	100 cm.
DETECTION RANGE	4 mm.
DETECTION OF BOJECT	METAL (COPPER, IRON, ALUMINUIM ETC.)



NPN
NO NORMALLY OPEN
4 mm.

● 5V TTL SENSOR 12VDC



LJ12A3-4-Z/BX