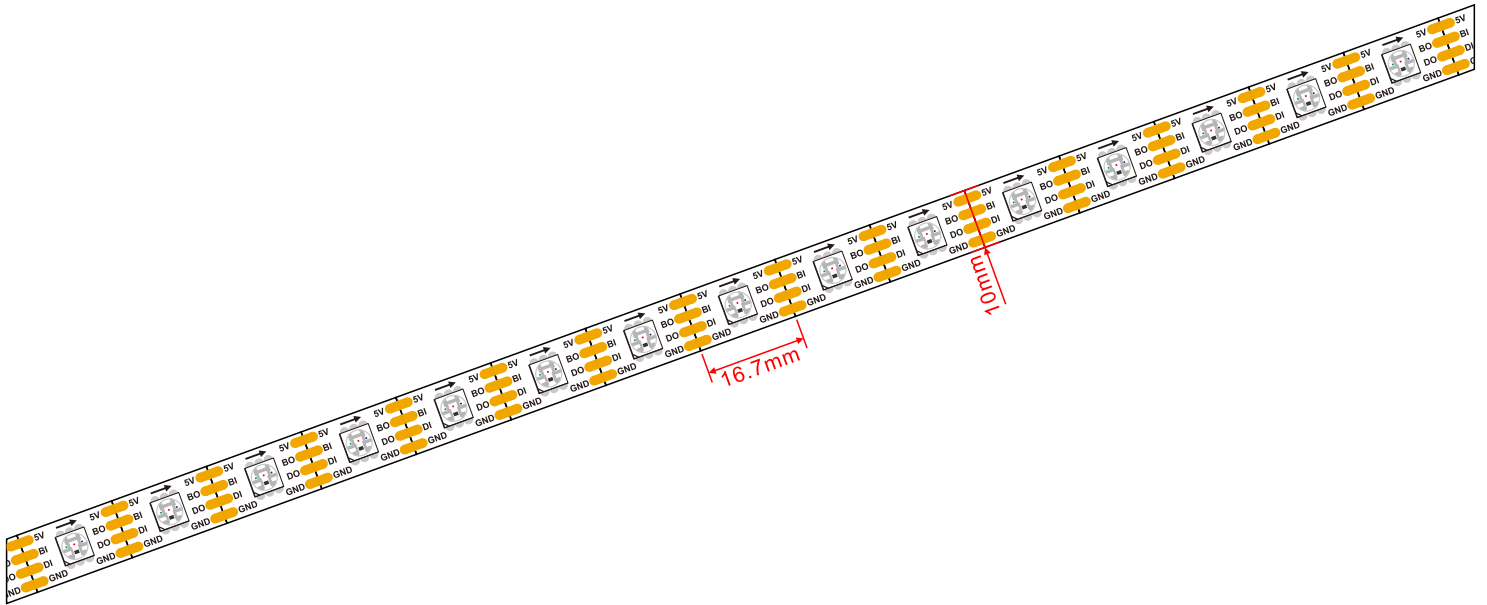


111.LED381

LED FLEXIBLE STRIPS

SMD5050 60-LED/m 5V DC



This product is based on our most popular High Quality SAN'AN 5050 SMD LED with built-in IC WS2813B. The IC is designed with double signal in and out module, two pcs of channels for data transfer, 256 gray scale. high brightness, fast data transfer, fast screen refresh etc. Even if one LED is broke, the signal can still transfer to the next IC to continue the program. With the controller, the strip can achieve monochrome, gradient, water, horse racing, text, video and so on.

PRODUCT FEATURE & BENEFITS

- ◆ Always using double-layer FPCB, mounted with high quality led Chips
- ◆ IC WS2813 assembled in LED inside, less components used.
- ◆ Low voltage input DC5V, high safety
- ◆ High-performance FPCB & LED for extremely long life
- ◆ Available in IP20, IP65, IP67, IP68 rating
- ◆ Great design freedom thanks to flexibility and cuttability of module
- ◆ Easy mounting on many smooth surfaces thanks to self-adhesive tape at the back

111.LED381

LED FLEXIBLE STRIPS

SMD5050 60-LED/m 5V DC

PRODUCT CODE

BF	5050	060	G	L0	00	S	S	2	00	20		
5050 - SMD5050 LED	060 - 60 LEDs/m	G - Digital	L0 - 5V DC	00 - No RA	S - SAN'AN LED	S - PCB Width 10mm	2 - PCB 2OZ	00 - RGB	20 - IP20	65 - IP65	67 - IP67	68 - IP68

TECHNICAL DATA

LED Brand	SAN'AN LED
Normal Voltage	5V DC
Normal Current per Meter	2.4A/m
Rated Wattage per Meter	12W/m
Type of Current	Direct Current / Constant Voltage
Light Color	See Form 1
Luminous Flux per Meter	R: 68lm / G: 187lm / B: 60lm
Luminous Efficacy	/
Color Rendering Index / RA	/
Length per Smallest Cutting Unit	16.7 mm
LED Number per Smallest Cutting Unit	1 LED
Length per roll for package	5 meters
Width of Printed Circuit Board	10 mm
Color of Printed Circuit Board	White / Black
Thickness of Printed Circuit Board	2 OZ
Double Side Adhesive Tape	3M 300LSE
Temperature Range in Operation	-20°C 70°C
Temperature Range at Storage	-20°C 50°C
Dimmable	Yes
Type of Protection	IP20 / IP65 / IP67 / IP68
Life Span	> 50000 Hours

* Testing environment temperature: 25±2°C

* The actual data of each single product may differ from above typical data which are subject to change without prior notice.

111.LED381

LED FLEXIBLE STRIPS

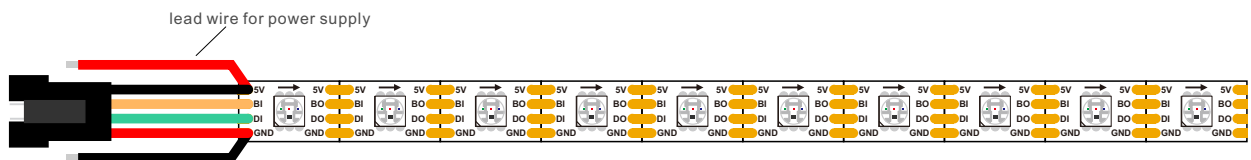
SMD5050 60-LED/m 5V DC

LIGHT COLOR

Form 1

LED Color	SAN'AN LED
White Color 7500K (75)	
White Color 6500K (65)	
White Color 5700K (57)	
White Color 5000K (50)	
White Color 4000K (40)	
White Color 3000K (30)	
White Color 2700K (27)	
White Color 2400K (24)	
White Color 2000K (20)	
Red Color (RE)	
Green Color (GR)	
Blue Color (BL)	
Yellow Color (YE)	
Pink Color (PI)	
Purple Color (PU)	
RGB	✓

PRODUCT START/END OPTIONS



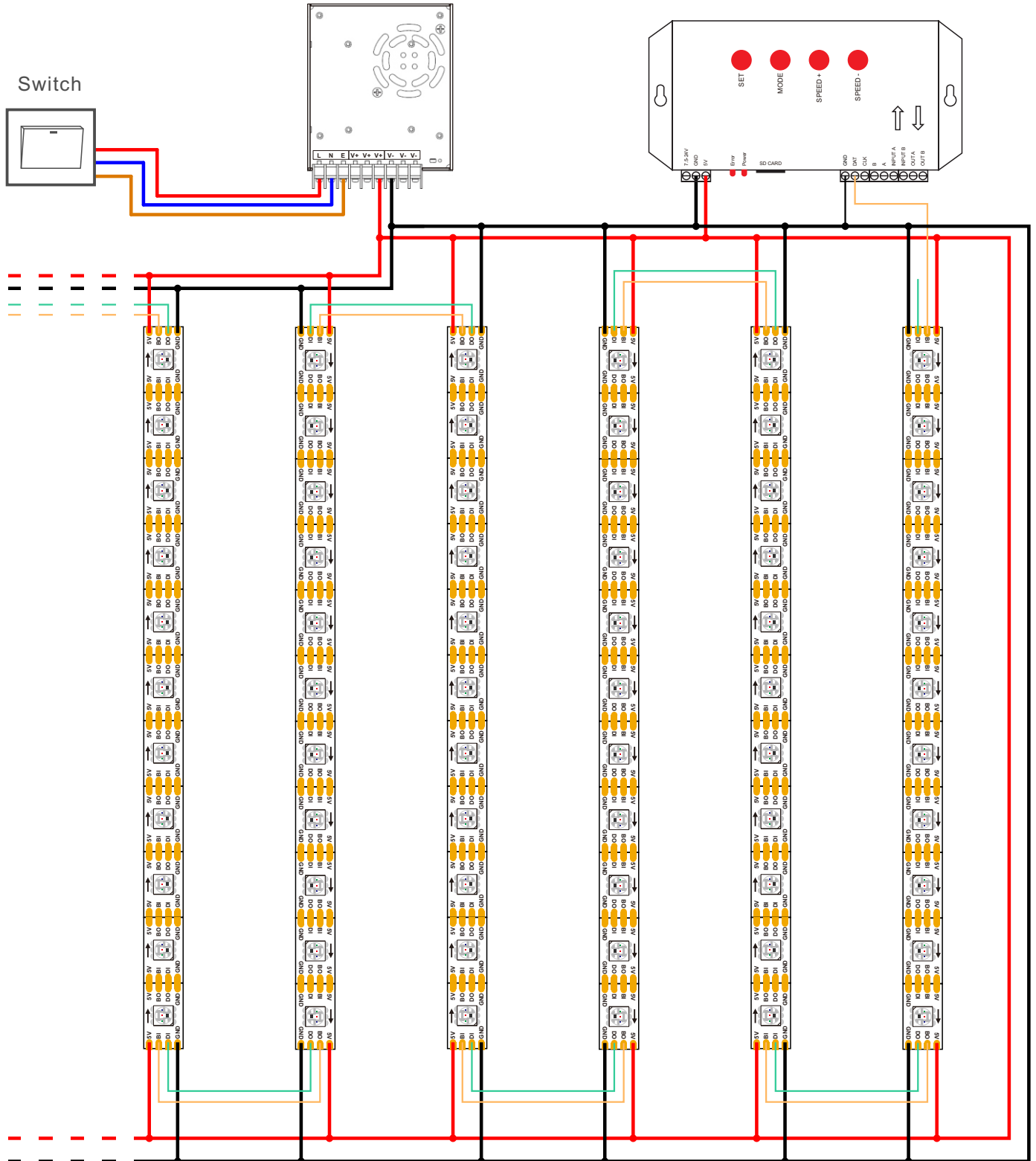
◆ The standard products are with soldered wire on both start and end section. For other options, please let us know before placing orders.

111.LED381

LED FLEXIBLE STRIPS

SMD5050 60-LED/m 5V DC

CONNECTION




111.LED381

LED FLEXIBLE STRIPS

SMD5050 60-LED/m 5V DC

INSTALLATION INSTRUCTIONS

1. The mounting surface must be clean, dry and free from dust or grease.
2. Release the LED strip from the package and unreel.
3. Measure and cut the LED strip to the required length (only cut at the cut marks with power OFF).
4. Remove the 3M self-adhesive backing tape from the strip gradually during installation.
DO NOT remove it all at once to avoid the strip becoming entangled and sticking to itself.
5. Stick the LED strip to the mounting surface by pressing on the strip in between components only.
DO NOT press on the LEDs or other components on the strip.
6. You can use optional mounting clips to secure the strips at intervals.
7. Once the strip is affixed, it is then ready to be wired.

 **CAUTION** - Twisting, pressing on LEDs, over-bending the strip, cutting at non-cut points, incorrectly powering the strip or exposing a standard strip (IP20) to water, particles or direct sunlight will invalidate the warranty.

SAFTY

1. Installation must be in accordance with local and national electrical code regulations.
2. To ensure safety and correct installation, our strips are intended to be installed by a licensed electrician.
3. Only install with a Constant Voltage LED driver.
4. Each maximum run requires a dedicated power feed from the driver.
DO NOT extend beyond the recommended maximum run length.
5. Make sure the appropriate gauge wire is installed between driver, LEDs, and any dimmers. When choosing wire, calculate voltage drop, maximum amperage rating, and the location ratings on the wire. Improper wire selection and installation could overheat wires and cause fire.
6. **DO NOT** modify product beyond instructions or warranty will be void.

