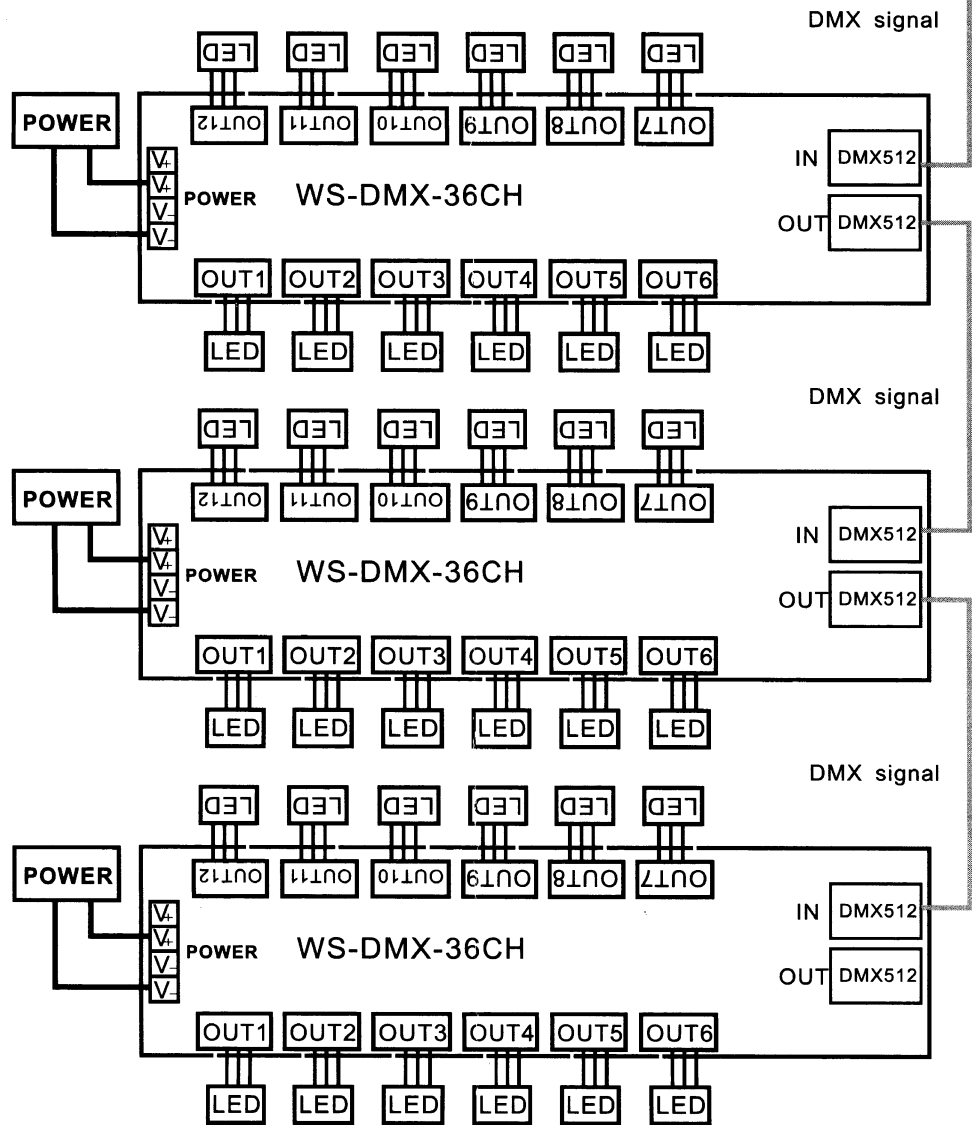
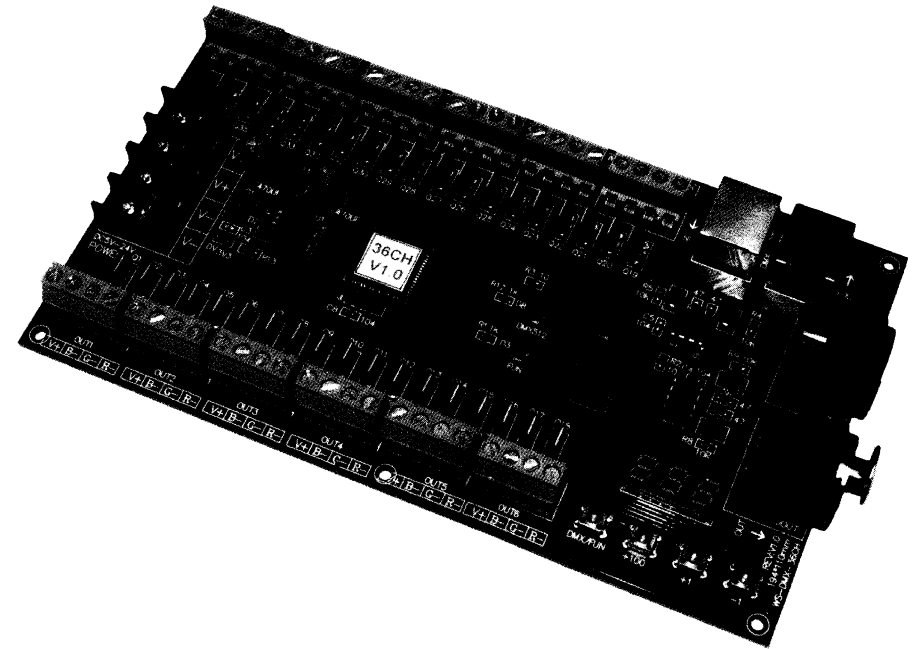


V.Connect Diagram

DMX512 CONSOLE



USER MANUAL



WS-DMX-36CH
36CH DMX512 DECODER

V1.0

I. Specifications

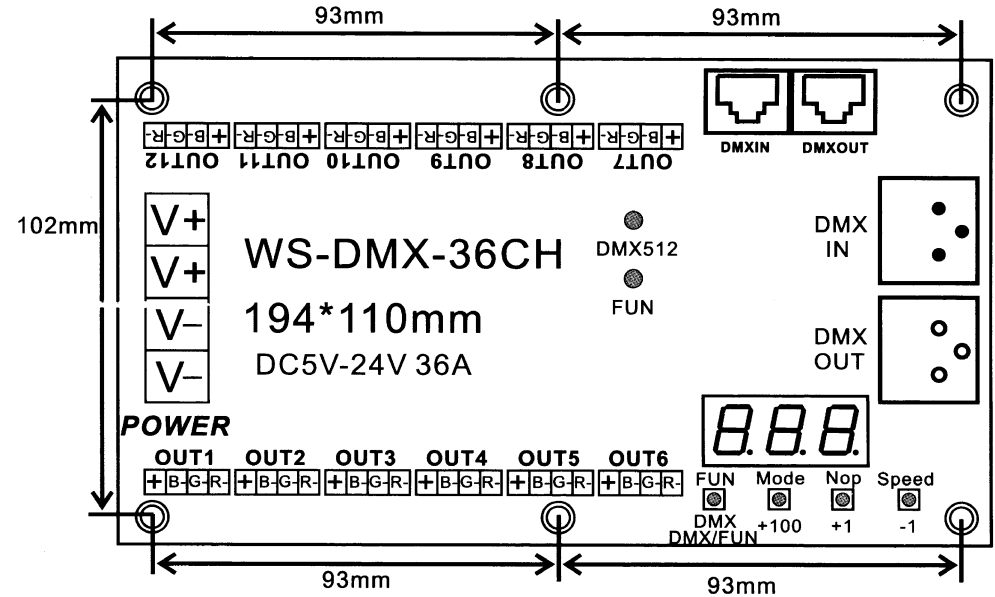
Input/Output Voltage : DC5V-24V
 Total Output of current: 36A
 Output: 1A each channel max 3A
 Channel: 36channel 12 group
 Controller: DMX512 XRL 3P
 Work temperature:-20°C-60°C
 Dimension: 194 x 110 x 25mm
 Weight: 0. 3Kg

II. Function

1. Each controller occupied 36 DMX512 addresses .
2. DMX/FUN key is Switching DMX512 state or FUN state.
3. DMX512 state: LED of DMX512 is ON
 key (+100) is DMX512 addresses add 100;
 key (+1) is DMX512 addresses add 1;
 key (-1) is DMX512 addresses reduce 1;
4. FUN state: LED of FUN is ON
 key (+100,Mode) Mode add 1;
 key (+1,nop) No effect;
 key (-1,speed) Speed is add 1;

Mode	effect	Speed
0	OFF	NOP
1	Red	NOP
2	Yellow	NOP
3	Green	NOP
4	Purple	NOP
5	Blue	NOP
6	Cyan	NOP
7	White	NOP
8	Seven-color jumpy changing	10 setp
9	Seven-color gradual changing	10 setp

III. Interface diagram



IV. Sfafeity Information

1. The input voltage of this controller should be follow. The specifications , Other high voltage would most probably destroy it .
2. Never connect two wires directly in case of short circuit.
3. Lead wire should be connected correctly according to colors that connecting diagram.
4. Warranty of this product is one year , in this period charge , but exclude the artificial situation of damaged.