

## I. Specifications

Input/Output Voltage: DC12V-24V  
 Total Output of current: 27A  
 Output: 1A each channel max 3A  
 Channel: 27channel 9 group  
 Controller: DMX512 XRL 3P  
 Work temperature:-20°C-60°C  
 Dimension: 200 x 85 x 25mm  
 Weight: 0.23Kg

## II. Function

- Each DMX common controller occupied 27 DMX addresses, adopt coding switch set address, it is a Binary numerical code switch which is setting DMX original address code from 1 to 9, 1 is the lowest, and 9 is the highest, 511 address codes could be setted in all. DMX original address code equal aggregate value from 1 to 9, dial the coding switch upwards(ON is setted 1), the value of bit can be gotten, on the contrary, the value of bit is 0. For example: if you want to set 37 as the address code, you can only dial down the first, the third and the sixth code switch value from 1 to 9 is  $32+4+1$ , that is, the original address code of DMX512 is 37.
- DMX signal can be received when coding switch FUN(10)=OFF.
- when coding switch that FUN(10) is ON, its function is as follows:

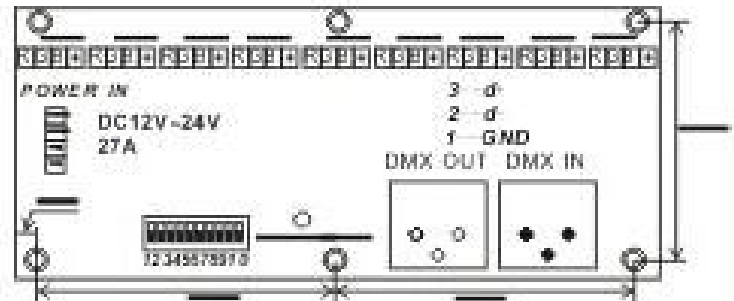
Switch1-9 is off	Black
Switch1=ON	Red
Switch2=ON	Green
Switch3=ON	Blue
Switch4=ON	Yellow
Switch5=ON	Purple
Switch6=ON	Cyan
Switch7=ON	White
Switch8=ON	Seven-color jumpy changing(8 steps speed)
Switch9=ON	Seven-color gradual changing(8 steps speed)

- if coding switch is 8 or 9, from 1 to 7 is the choice for speed, there are 8 steps in all, the description is as follows:

Switch1-7 is off	0 steps
Switch1=ON	1 steps
Switch2=ON	2 steps
Switch3=ON	3 steps
Switch4=ON	4 steps
Switch5=ON	5 steps
Switch6=ON	6 steps
Switch7=ON	7 steps(the greatest speed)

- There are several switches is ON at the same time, the great value is standard.

## III. Interface diagram

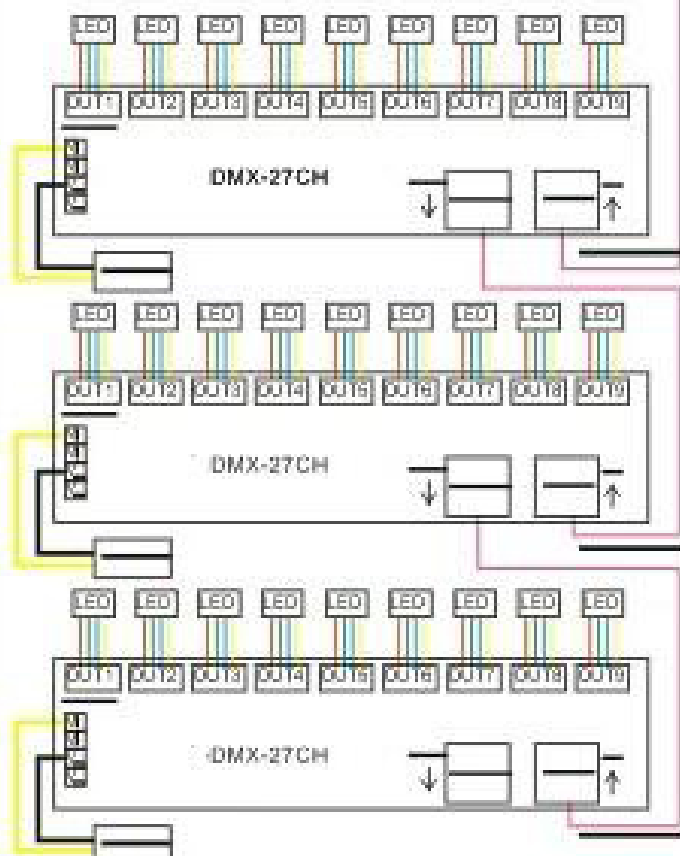


## IV. Safety Information

- The input voltage of this controller should be follow. The specifications, Other high voltage would most probably destroy it.
- Never connect two wires directly in case of short circuit.
- Lead wire should be connected correctly according to colors that connecting diagram.
- Warranty of this product is one year, in this period charge, but exclude the artificial situation of damaged.

## V. Connect Diagram

DMX512 CONSOLE



# USER MANUAL



NAFCOM

27CH DMX512 DECODER