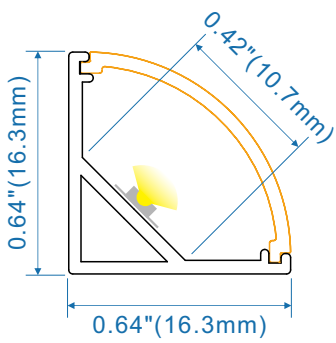
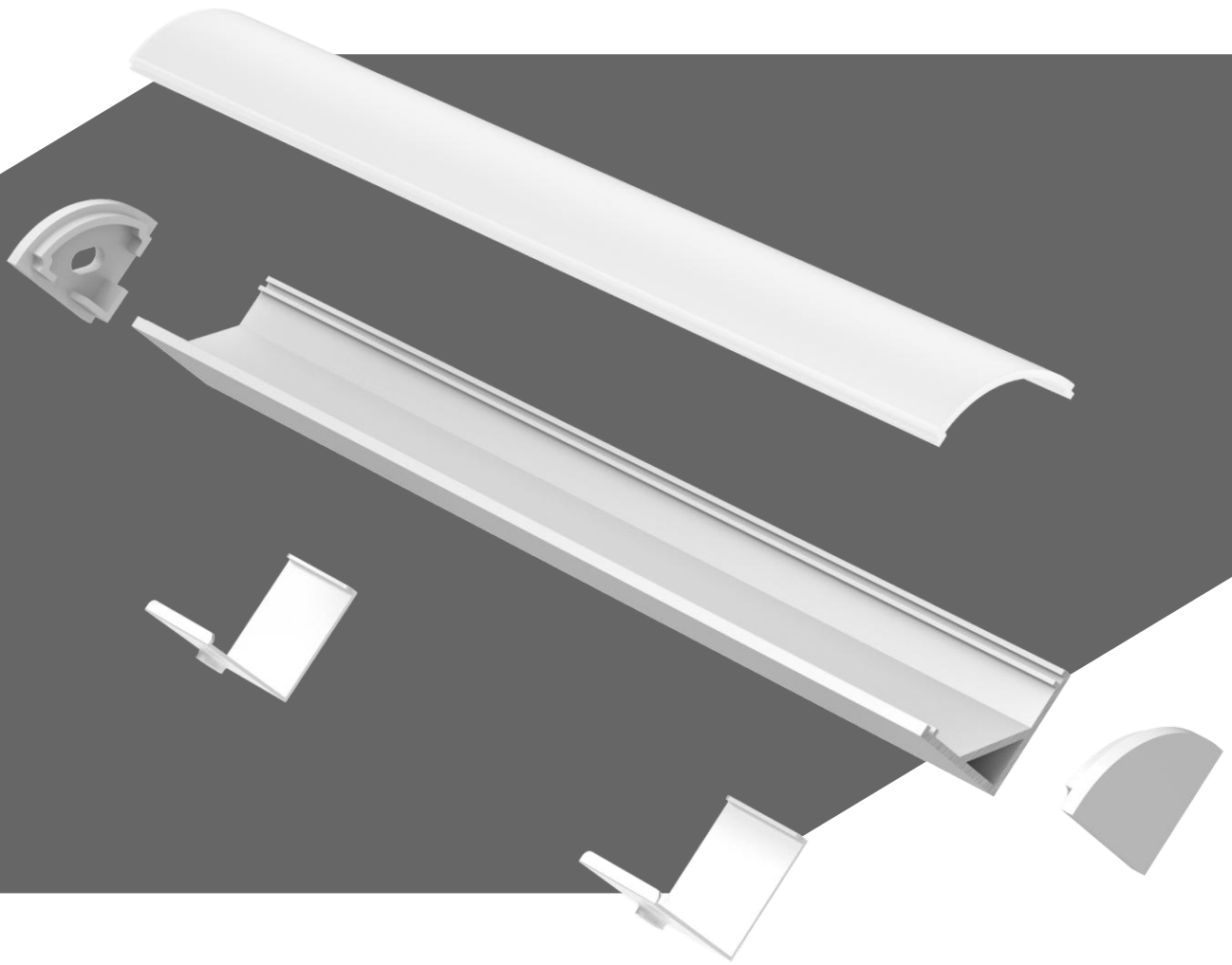


111.PF926

ALUMINUM PROFILE

16x16mm Anodized Treatment

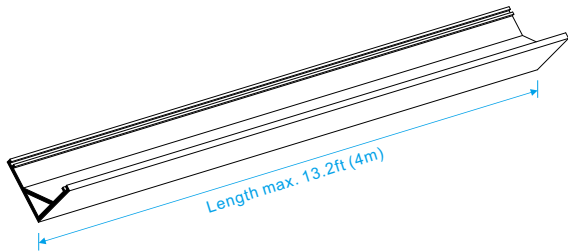


111.PF926

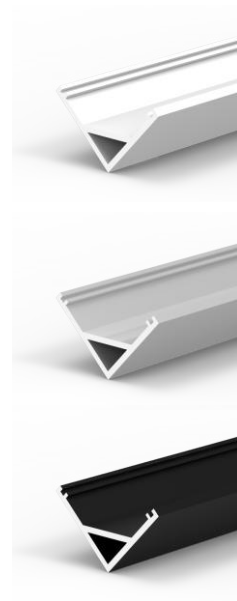
ALUMINUM PROFILE




16x16mm Anodized Treatment

ALUMINUM PROFILE



- ◆ Using High Quality 6063-T5 Aluminum as a material
- ◆ High Standard of anodizing aluminum surface
- ◆ International Standard Anodized Silver Color
- ◆ Heat Sink and physical protection to the LEDs
- ◆ Suitable for Max. 10mm width LED flexible strips
- ◆ Available length 1m, 2m, 2.5m, 3m, 4m

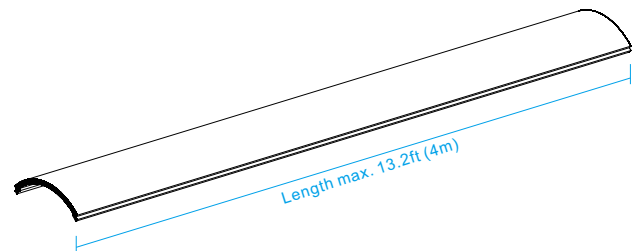


-  White Painted
-  Silver Anodized
+ standard color
-  Black Anodized

DIFFUSER

The milky color diffusers are capable of transmitting a large spread of the LED light. It is able to give a uniform brightness and is used as a cover for LED lights to eliminate or reduce the light points of the LEDs.

Color	Milky
Material	PC
Working Temperature	-50°C ~ 100°C
Light Transmission	86%
Coefficient Diffusion	Medium
Method of Assembly	Push in



- Color:**
- 1.Transparent
 - 2.Milky (opal)
+ standard color
 - 3.Black

111.PF926

ALUMINUM PROFILE

16x16mm Anodized Treatment

HOW TO INSTALL THE PROFILE?

Way 1:

