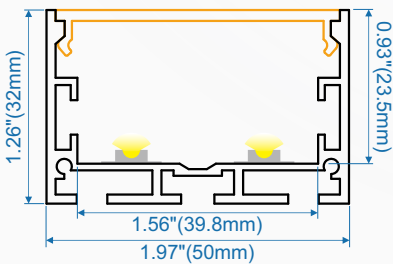
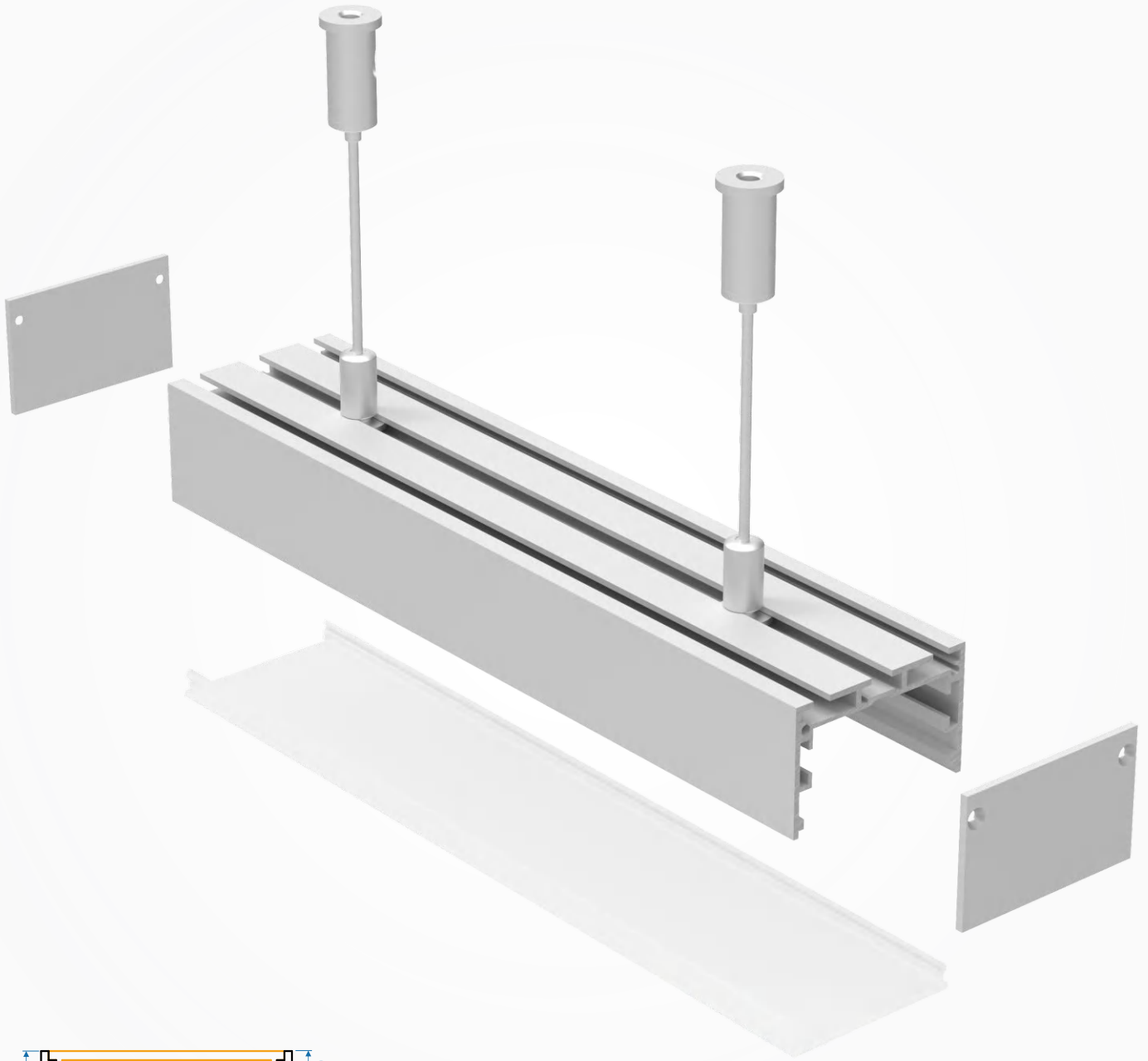


# S503203

ALUMINUM PROFILE

50x32mm Anodized Treatment

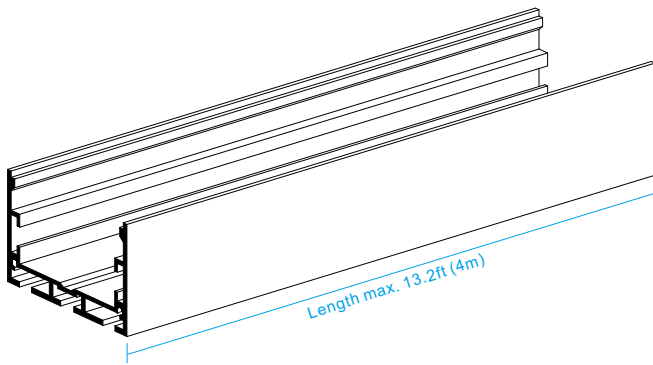


# S503203

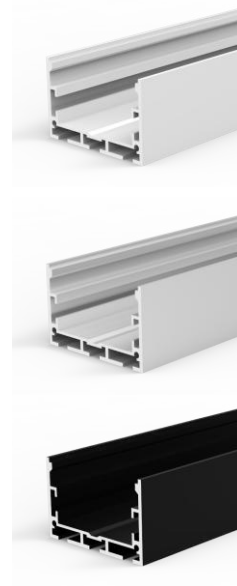
## ALUMINUM PROFILE

50x32mm Anodized Treatment


## ALUMINUM PROFILE



- ◆ Using High Quality 6063-T5 Aluminum as a material
- ◆ High Standard of anodizing aluminum surface
- ◆ International Standard Anodized Silver Color
- ◆ Heat Sink and physical protection to the LEDs
- ◆ Suitable for Max. 40mm width LED flexible strips
- ◆ Available length 1m, 2m, 2.5m, 3m, 4m



 White Painted

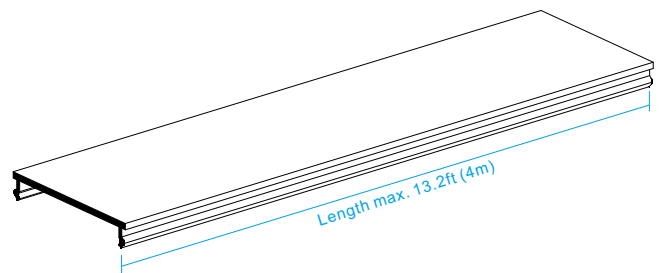
 Silver Anodized  
+ standard color

 Black Anodized

## DIFFUSER

The milky color diffusers are capable of transmitting a large spread of the LED light. It is able to give a uniform brightness and is used as a cover for LED lights to eliminate or reduce the light points of the LEDs.

Color	Milky
Material	PC
Working Temperature	-50°C ~ 100°C
Light Transmission	86%
Coefficient Diffusion	Medium
Method of Assembly	Push in



**Color:**  
1.Transparent  
2.Milky (opal)  
+ standard color  
3.Black

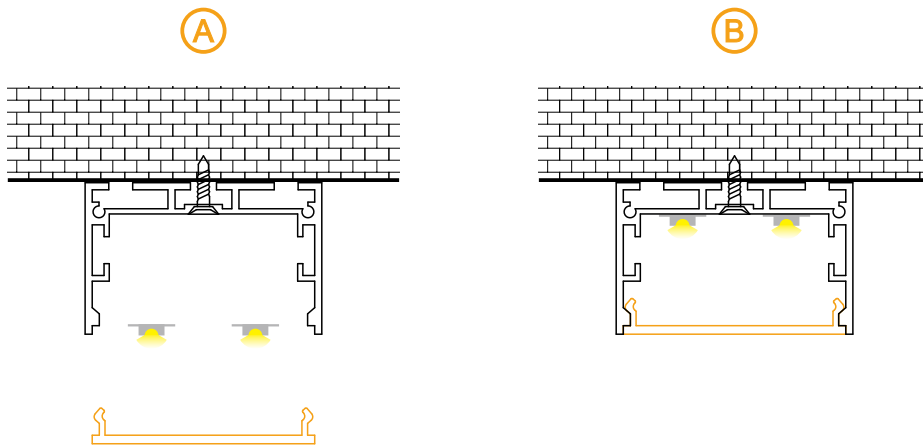
# S503203

ALUMINUM PROFILE

50x32mm Anodized Treatment

## HOW TO INSTALL THE PROFILE?

Way 1:



Way 2:

