



## Product Specifications

Full Color Asynchronous Controller Card

HD-C15C

V1.0 20181228

## System Overview

---

HD-C15C Full Color Asynchronous Controller System is a LED control system that supports mobile APP control, Web remote control and offline play HD Video.

Supporting computer control software HDPlayer, mobile phone control software LED ART and HD technology clouds management platform.

HD-C15C integrated sending card and receiving card function, can single cassette with small screen, can also add HD-R0X to receive the cassette screen.

## Controlling System Configuration

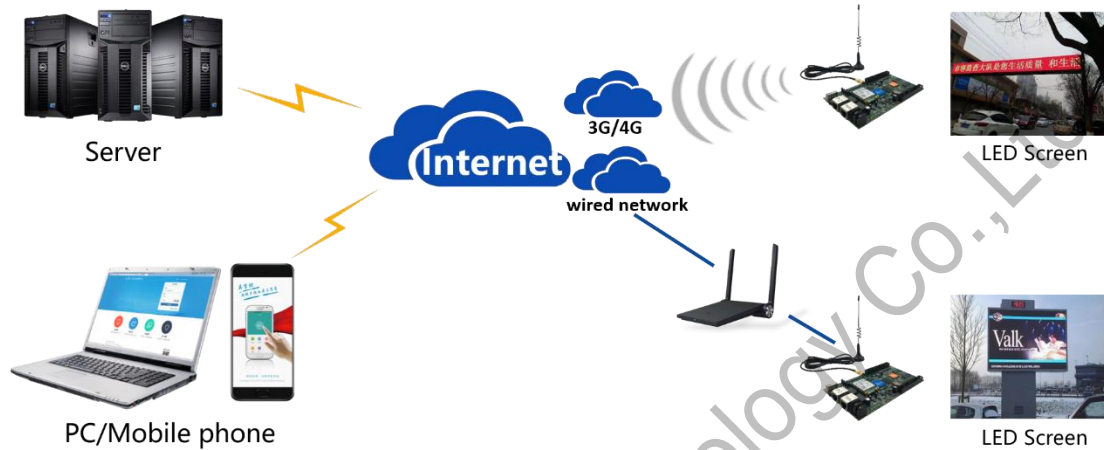
---

Product	Type	Functions
Asynchronous Cascade Card	HD-C15C	Asynchronous core control panel, with storage capabilities, can be connected to the screen body, with 10 HUB75E.
Receiving Card	R50X	Connected with screen, Showing program in Screen.
Control Software	HDPlayer、Led Art、clouds	Screen parameter settings, edit the program, send program etc.
Accessories		HUB, Network cable, U-disk etc.

# Application scenario

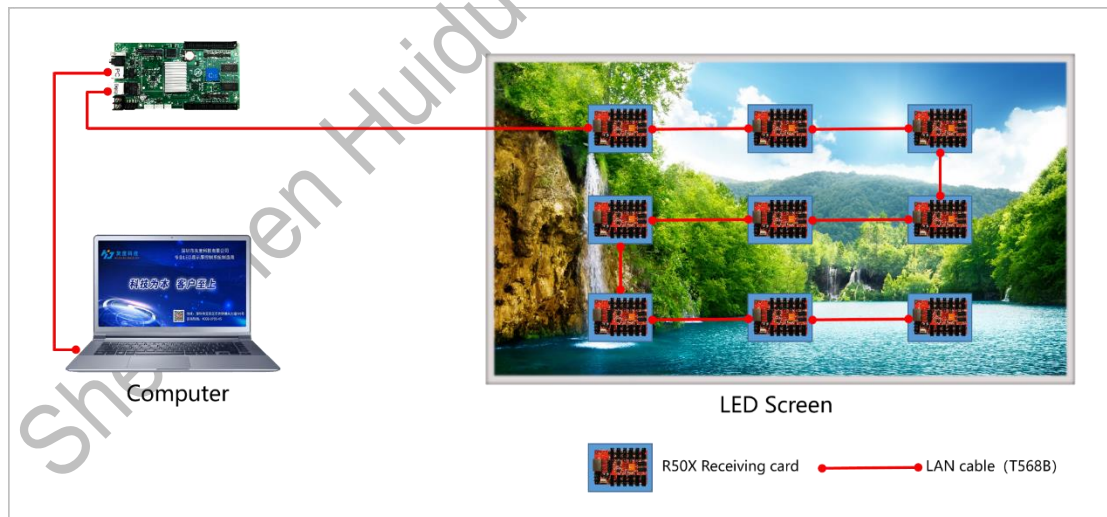
Multi-screen Internet applications

HD-C15C supports Internet access via 3G / 4G / Wi-Fi / cable.



Unified Management of More Led Display through Internet

Single screen using the direct control of the computer



One Display--- Connected to Computer and Control Card by Network Cable

Note: Each screen only using one C15C card, the number of received cards are depends on the screen size.

## Program features

---

- 1) Support Indoor & outdoor full-color& single/dual color module & Virtual module.
- 2) Support Video, Animation, Graphics, Images, Text, etc.
- 3) Support 1080P HD video hardware decoding, 60Hz frame frequency output.
- 4) U-disk to infinitely expand the memory storage, U-disk plug-and-play.
- 5) Support Standard two-track stereo output.
- 6) No need set IP; HD-C15C could be identified by controller ID automatically.
- 7) Support 3G/4G/Wi-Fi/ and network cluster management remote management.
- 8) Support 0~65536 gray level.
- 9) Cascade support for receiving large screen.

## System function list

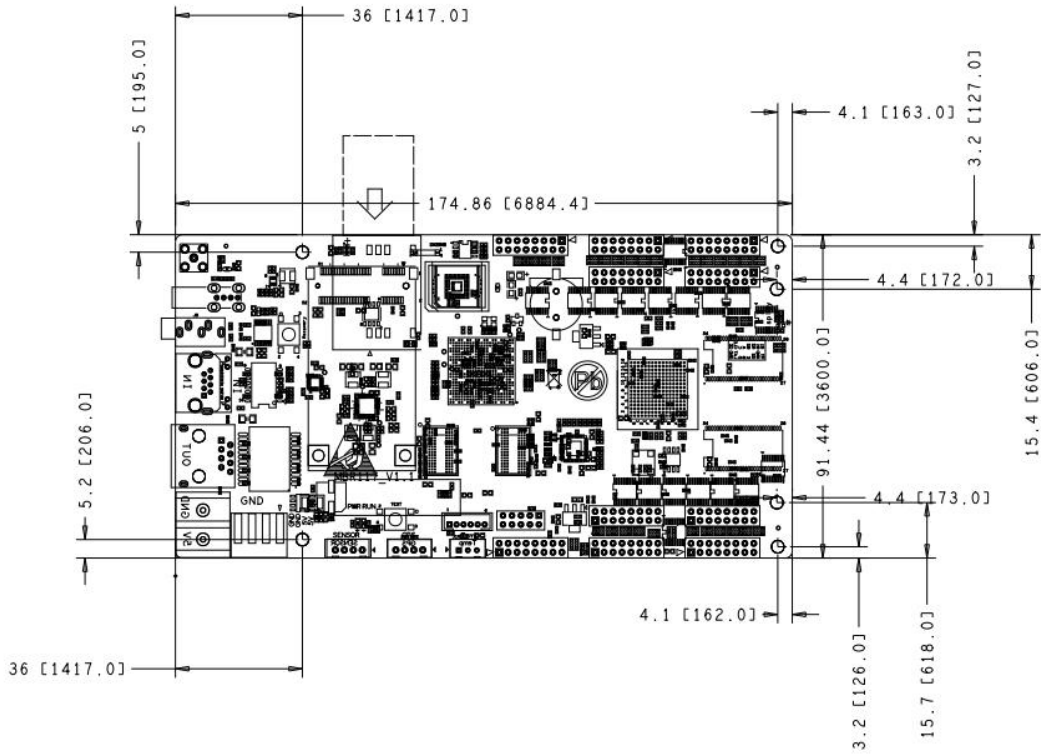
---

Module type	Compatible with indoor and outdoor full color and single color module, Support virtual module, Support SM16159/SM16207S/SM16237/SM16237DS/ICN2037/ICN2038/ICN2038S/ICN2045/ICN2053 main chip etc.
Scan Mode	Static to 1/32 scan mode
Control Range	384(W)*320(H), widest 1024, highest 512
Single receiver card with pixels	Suggest: 256*256
Gray Scale	0-65536
Program update	Directly connected to the computer, LAN, Wi-Fi disk, mobile hard disk.
	Video, Pictures, Gif, Text, office, Clocks, Timing etc.

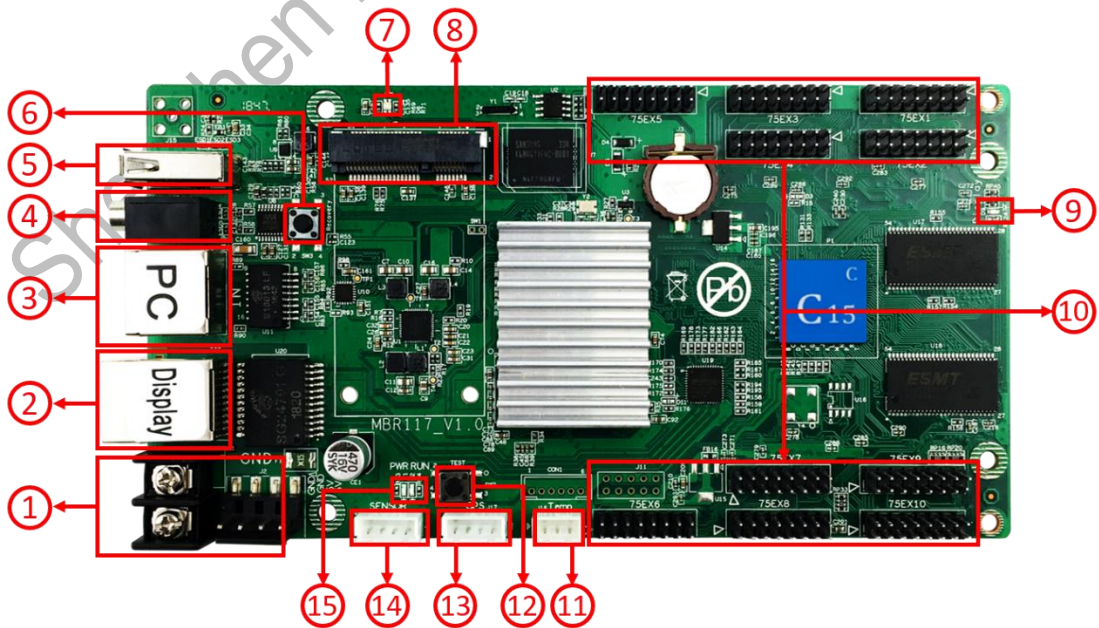
Basic functions	Remote, Temperature, Humidity, Brightness etc.
Video format	Support 1080P HD video hardware decoding, direct transmission, without transcoding waiting; 60Hz frame frequency output; AVI, WMV, MP4, 3GP, ASF, MPG, FLV, F4V, MKV, MOV, DAT, VOB, TRP, TS, WEBM, etc.
Image Format	Support BMP,GIF,JPG,PNG,PBM,PGM,PPM,XPM,XBM etc.
Text	Text editing, Image, Word, Txt, Rtf, Html etc.
Document	DOC, DOCX, XLSX, XLS, PPT, PPTX etc.Office2007Document format.
Time	Classic Analog clock, digital clock and various of clock with image background.
Audio output	Double track stereo audio output.
Memory	4G Flash memory; Indefinite expanding of U-disk memory.
Communication	10/100M/1000M RJ45 Ethernet, 3G/4G, Internet, LAN.
Working Temperature	-20°C-80°C
Port	IN:10/100/1000M RJ45 x1,USB 2.0 x1,test button x1 OUT:1000M RJ45 x1, AUDIO x1
Receiving card Working Voltage	4.5V~5.5V

# Dimension Chart

HD- C15C:



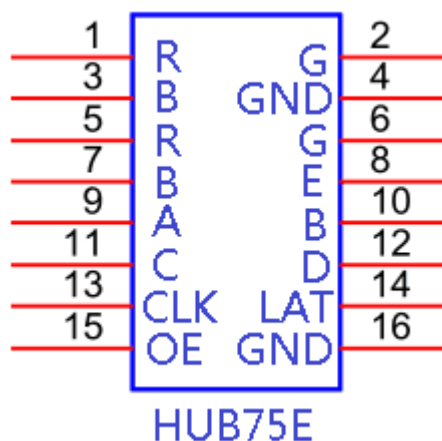
# Appearance Description



- 1) Power Supply port: connect 5V DC power supply.
- 2) Output network port: 1000Mbps network port, connect to receiving card.
- 3) Input Network port: 100Mbps network port, connect to PC.
- 4) Audio output port: support standard two-track stereo output.
- 5) USB port: connected to USB device, e.g. U-disk, Mobile hard disk etc.
- 6) Recovery button: Reply to default parameters.
- 7) Wi-Fi and 3G/4G module indicator light: Wi-Fi and 3G/4G module work state.
- 8) Mini PCIe port: connect Wi-Fi or 3G/4G module.
- 9) Display indicator light: working status is Flicking.
- 10) HUB75E port: connect to LED modules.
- 11) Temp port: connect temp sensor.
- 12) Test button: LED screen burn-in test.
- 13) GPS port: connect GPS module.
- 14) Sensor port: connect S108 and S208 sensor.
- 15) Controller work state indicator light: D1 is Power lamp, D2 is RUN lamp.

## Interface definition

Onboard 10 2 \* 8PIN header, HUB75E as follows



## Technical Parameters

	Minimum	Typical value	Maximum
Rated voltage (V)	4.2	5.0	5.5
Storage temperature(°C)	-40	25	105
Work environment humidity (°C)	-40	25	80
Work environment humidity (%)	0.0	30	95

## Precaution

- 1) To ensure that the control card is stored during normal operation, make sure the battery on the control card is not loose,
- 2) In order to ensure the long-term stable operation of the system; please try to use the standard 5V power supply voltage.