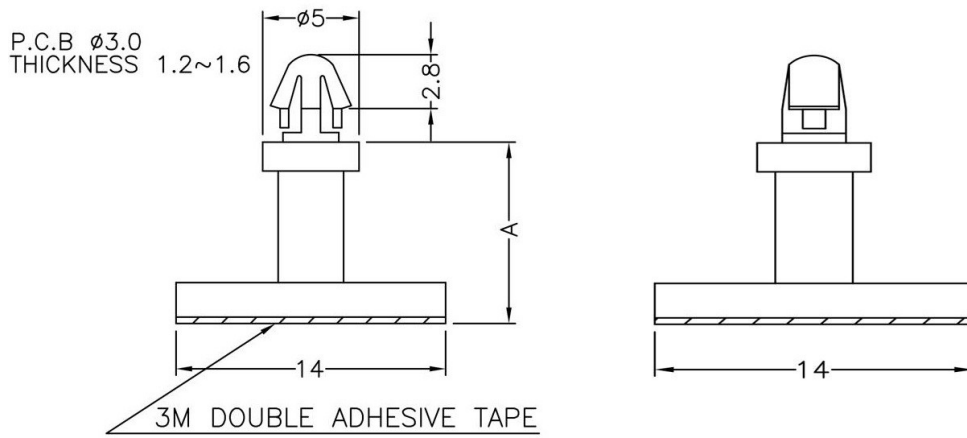




MATERIAL: NYLON 66(UL)
 FLAME CLASS: 94V-2
 COLOR: NATURAL
 UNIT: mm



PART NO.	A	
CSS-3.5	3,5	
CSS-4.8	4,8	
CSS-6.4	6,4	
CSS-8	8	
CSS-10	10	
CSS-12.7	12,7	